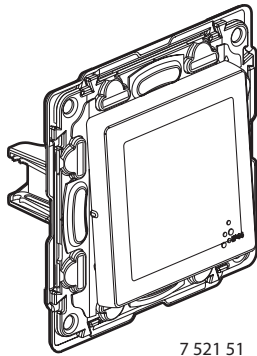
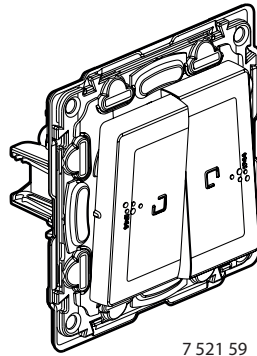


Valena Life™
Lighting controls - IP 44

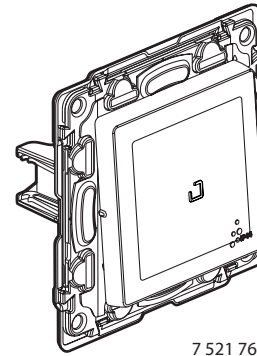
Cat. No(s): 7 521 51/55/56/58/59/61/64/67
7 521 71/75/76



7 521 51



7 521 59



7 521 76

1. USE

Waterproof lighting controls mechanisms.

Mechanisms supplied with:

- Support frame
- Rocker
- Membrane IP 44 (at the top and bottom)
- Protection cover

To be equipped with plates one or several gangs.

Flush-mounting or surface-mounting.

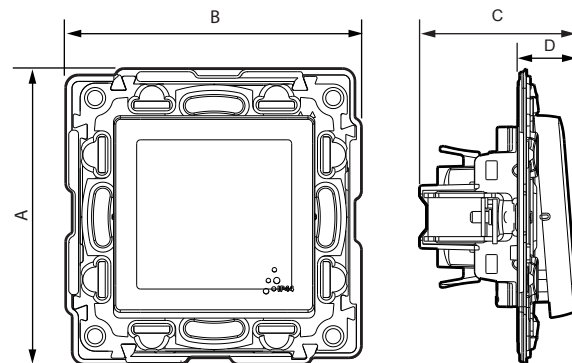
If surface mounting, the product will not be IP 44 (but the assembly is possible).

2. RANGE

Description	References
One-way switch	7 521 51
Two-way switch	7 521 56
Illuminated one-way switch with indicator Cat. No 0 676 84 (230 V)	7 521 61
Illuminated two-way switch with indicator Cat. No 0 676 86 (230 V)	7 521 67
Two-gang one-way switch	7 521 55
Two-gang two-way switch	7 521 58
Illuminated two-gang two-way switch with indicator Cat. No 0 676 86 (230 V)	7 521 59
Two-pole switch	7 521 64
Changeover push-button NO-NC	7 521 71
Changeover push-button NO-NC, bell symbol	7 521 75
Illuminated push-button NO-NC, bell symbol with indicator Cat. No 0 676 86 (230 V)	7 521 76

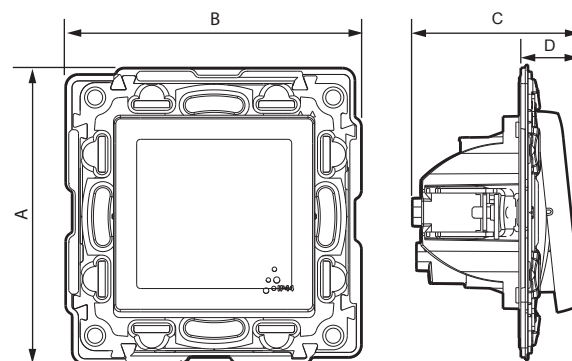
3. DIMENSIONS (mm)

Cat. Nos 7 521 51/55/56/58/59/61/67/71/75/76



A	B	C	D
78.5	78.5	42	15.5

Cat. No 7 521 64



A	B	C	D
78.5	78.5	44.5	15.5

4. CONNECTION

Automatic terminals

Terminals capacity: 2 x 2.5 mm²

Cat. No 7 521 64: 2 x 4 mm²

Stripping length: 13 mm

Cat. No 7 521 64: 10 mm

Flexible or rigid cables compatible

5. TECHNICAL CHARACTERISTICS

■ 5.1 Caractéristiques mécaniques

Protection against solid bodies and liquids: IP 44

Protection against impact: IK 04

■ 5.2 Material characteristics

Polygloss appearance

Colour: White RAL 9003

Material: - Membranes: PP

- Rocker: ABS

- Base: PC

- Halogen free

- UV resistant

Material of the support: - Polycarbonate grey RAL 737 + Metal
- Halogen free

Self-extinguishing:

850°C/30 s for insulating parts holding live parts in place

650°C/30 s for other parts made of insulating materials

■ 5.3 Electrical characteristics

Voltage: 250 V~

Current: - Switches: 10 AX

- Two-pole switch (7 521 64): 16 AX

- Push-buttons (7 521 71/75/76): 6 A

Max. power for self-ballasted lamps: 100 W for 10 AX switches

Max. power for self-ballasted lamps: 200 W for 16 AX switch

Frequency: 50/60 Hz

■ 5.4 Climatic characteristics

Usage temperature: - 5°C to + 35°C

Storage temperature: - 10°C to + 35°C

6. MAINTENANCE

Surface cleaning with a cloth.

Do not use: acetone, tar remover, trichloroethylene.

Maintenance with the following products: Hexane (EN 60669-1), Methylated spirit, Soapy water, Diluted ammonia, Bleach diluted to 10%, Window-cleaning products.

Caution: A preliminary test should be carried out if other specific cleaning products are to be used.

7. STANDARDS AND APPROVALS

Compliance with standards of installation and manufacturing.

Refer to e. catalogue.