

# WALLBOX eMH1

## WITH CHARGING CABLE

### 11 kW

The Wallbox eMH1 Basic features a fixed charging cable with Type 2 connector. Thanks to its extremely small dimensions the Wallbox eMH1 is the perfect solution for the efficient charging of electric vehicles. The wallbox is easy to operate and the perfect choice for novice users. The eMH1 complies with highest safety standards and is 'Made in Germany'.



## General information

Model	eMH1
Product number	1W1108
EAN number	4011721176024
Commodity code	85371091
Packaging unit (PU)	1 unit
Packaging (dimensions HxWxD)	355 x 330 x 270 mm
Items supplied	Wallbox, printed quick reference guide, installation kit, 2 keys, drilling template

## Input / mains supply

External power supply	Max. 5 x 6 mm <sup>2</sup>
Rated voltage	230 / 400 V
Rated current	16 A
Rated frequency	50 Hz
Upstream fuse	16 A (required onsite), C characteristic recommended
Terminal blocks	6 mm <sup>2</sup> feed-through terminal block PE: 6 mm <sup>2</sup> feed-through terminal block

## Output / vehicle connection

Connection system	Single charging cable with Type 2 connector in acc. with IEC 62196-2, ca. 6.35 m
Output voltage	230 / 400 V
Max. charging current	16 A
Maximum output	11 kW

## Protection / integrated components

RCCB	Min. RCCB Type A, 30 mA required onsite
DC fault current detection	Electronic, $I_{\Delta n \text{ d.c.}} \geq 6 \text{ mA}$
Load switching	Contactors, 4-pole
Weld detection	No charging possible with welded contactors
Temperature monitoring	Internal, charging current reduction or shut down

## Charge monitoring / status indicators

Indication (operating state / fault indication)	LED
Firmware indicator	LED (flashes on start-up)
Communication EV	In acc. with IEC 61851-1 Mode 3
Communication EVSE	RS485

## Standards / directives

IEC 61851-21-2
IEC 61851-1 Ed. 3
IEC 60364-7-722 Ed. 1

## Operating conditions

Storage temperature	-30 to 85°C
Operating temperature	-25 to 40°C
Relative humidity	5 to 95%, no condensation
Class of protection	I
Overvoltage category	III
Degree of pollution	3
Degree of protection (housing)	IP54
Power dissipation	n/a

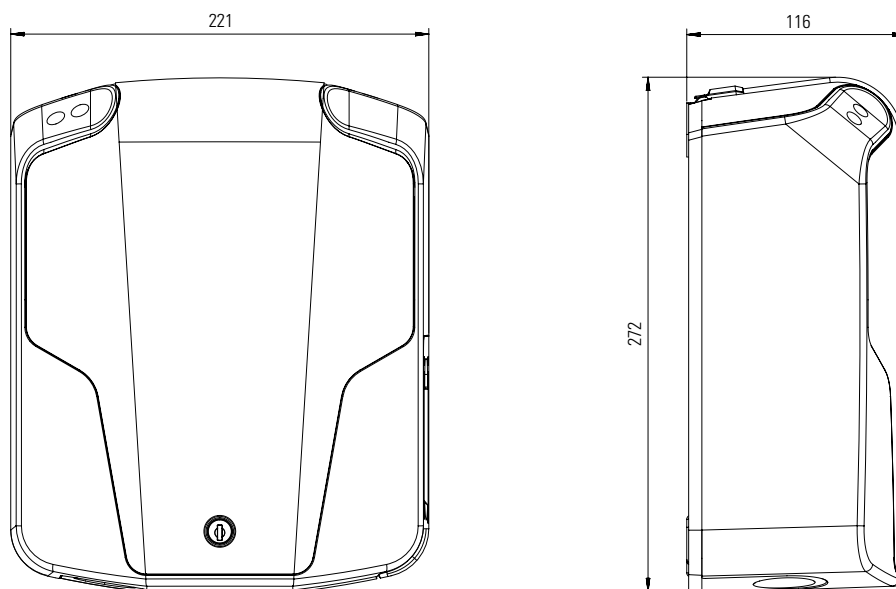
## Housing

Type	Wall-mounted housing
Fixing type	Wall bracket (mounting kit provided)
Material (housing / cover)	Plastic
Housing colour	RAL 9005
Cover colour	RAL 9005
Locking mechanism	Lockable cover with integrated lock
Dimensions (HxWxD)	272 x 221 x 116 mm
Weight	Approx. 4.5 kg

## Optional accessories

Pole	POLEMH1
Foundation	EMH9999
Weather protection roof	WPR12
Mounting plate with cable storage holder	WHEMH10
Mounting plate with cable storage holder and key switch	1W0001
Mounting plate with selector switch for PV connection	PVEMH10
Cable storage holder with charging plug adapter	CABHOLD
Energy Management System home	eMS home
Cable conversion current transformer for eMS home	eMS CT
Configuration kit	CONF CAB
Multi-purpose installation tester	TE001
Vehicle simulation adapter	TE005
see website at <a href="http://www.ablmobility.de">www.ablmobility.de</a>	

## Dimensioned drawing



Subject to change: All performance characteristics, technical and other specifications are subject to change without prior notice.