

# SIMPLY. DOUBLE.

## ALPHA



Two Type-2-charging plugs  
with each 5.5 m  
cable (acc. to IEC 62196-2)



For private and  
semi-public use



Intelligent load  
management. Adjustable  
from 2.3 – 22 kW



Maximum safety through  
integrated personal safety  
switch for e-mobility



Available at  
short notice



Made in  
Germany

# ALPHA

**ONE WALLBOX WITH TWO CHARGING POINTS.  
THIS IS HOW UNCOMPLICATED CHARGING WORKS  
IN EVERYDAY LIFE.**





## TWO TYPE-2-CHARGING PLUGS

For a second car no further box is necessary. This saves space and costs! The connections comply with the standard IEC 62196-2. ALPHA's connections are protected against dirt, which saves separate protective caps.



## TWO LONG CHARGING CABLES

The wallbox ALPHA is equipped with two 5.5 m each long cables. In addition with the positioning of the box between two parking spaces it gives you enormous flexibility. Your on-board cable remains stowed in the vehicle clean and dry.



## INTELLIGENT LOAD MANAGEMENT

The ALPHA is prepared to any local situation and might be adjusted from 2.3 to 22 kW loading power. The load management makes it possible to divide the charging power in the most sensible way.



## MAXIMUM SAFETY

The personal safety switches-specially developed for e-mobility-offer the best protection for the user and also save money during installation. The integrated "Thunderstorm protection" prevents false alarms.



## TEMPERATURE MANAGEMENT

The integrated temperature monitoring protects the complete electronics against overheating and automatically reduces the output if necessary. This guarantees a long service life.



## EASY INSTALLATION AND MAINTENANCE

Protected and accessible at the same time! The electronics are equipped with an access key protection against external intervention but can be easily opened by the owner if necessary.



## DOUBLE POWER – SINGLE COST

Two charging points with just one supply line. PRACT ALPHA is easy to install, saves a lot of time and therefore money!



## DURABLE AND FUTURE-PROOF

3 year PRACT warranty without ifs and buts! High quality and durable materials guarantee a long service life. Like PRACT has been known for decades.



## MADE IN GERMANY

We focus on highest quality and are convinced of the incomparable strength of our domestic location. And that in all areas, from development to production.



## ACCESS RESTRICTIONS

Not accessible for everyone! With optional RFID module the charging station is well protected and easily activated when required.



## LOCAL FINANCING OPPORTUNITIES

Check your local financing possibilities. There may also be special e-mobility funding programmes in your area.

**GARAGE? HOUSE-WALL?  
PARKING SPACE? EVERYTHING  
GOES. DECIDE YOURSELF!**



## WALLBOX ALPHA

2 x Type-2-charging plugs acc. to IEC 62196-2, 2 x 5,5 m each cable, user-safety-switch for e-mobility, intelligent load management 2,3 to 22 kW (2 x 11 kW)

- Material: Powder-coated aluminium/ plastic
- Colour: Black
- Weight: 11.0 kg

**998,- EUR\***

Article code: NRG1000

\*plus VAT.

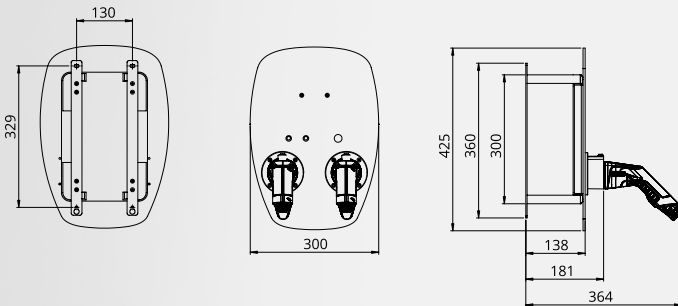
## WALLBOX ALPHA XT

Product data equivalent with WALLBOX ALPHA, including PRACHT communication- as well as RFID-Module.

**1498,- EUR\***

Article code: NRG1002

\*plus VAT.



## WALL CABLE HOLDER

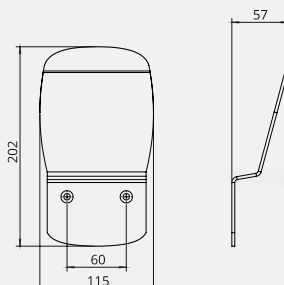
Wall cable support for PRACHT ALPHA charging cable. For free wall mounting according to local circumstances. Suspension for charging cable.

- Material: Powder-coated aluminium
- Colour: Black
- Weight: 0.2 kg

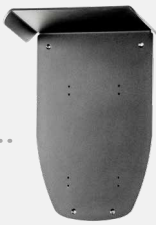
**29,- EUR\***

Article code: NRG9004

\*plus VAT.



PRACHTENERGY.COM



## ROOF

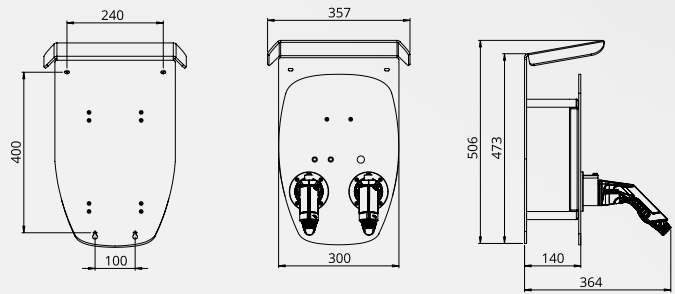
Wall bracket with rain cover for mounting and protection of the PRACHT ALPHA charging station for use in unprotected outdoor areas.

- Material: Powder-coated aluminium
- Colour: Black
- Weight: 2.8 kg

**249,- EUR\***

Article code: NRG9001

\*plus VAT.



## RFID CARDS

RFID cards for charging station ALPHA. Only available in connection with PRACHT RFID Module (NRG9002).

- Set existing of 5 cards

**29,- EUR\***

Article code: NRG9003

\*plus VAT.

## RFID MODULE

For protection against unauthorised access. Almost all RFID chip cards commonly used in e-mobility can be taught to the module via radio access without additional devices.

- max. 100 cards teachable
- Shipment: RFID Module, connection cable, 2 RFID cards

**149,- EUR\***

Article code: NRG9002

\*plus VAT.



## STAND WITH COVER

Stand for use as a stand-alone solution for the PRACHT ALPHA charging station for use in the unprotected outdoor area. With cable holder and provided floor anchoring for a firm stand.

- Material: Powder-coated aluminium
- Colour: Black
- Weight: 6.5 kg

**399,- EUR\***

Article code: NRG9000

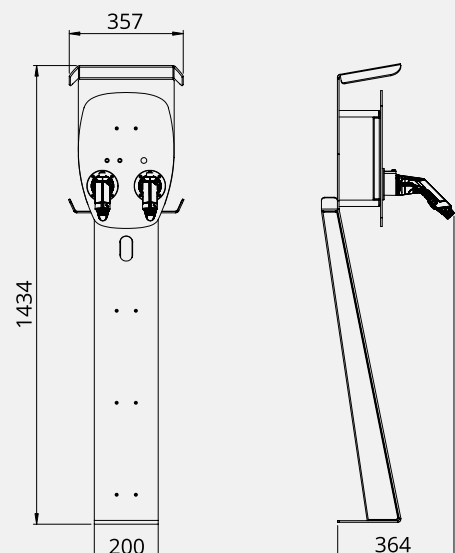
\*plus VAT.

## TECHNICAL SPECIFICATIONS

Manufacturer	PRACHT
Type	ALPHA / ALPHA XT
Colour	Black
Mounting type	Wallbox
Stand optional	Yes
I.P. protection	65 (Box)
Material	Aluminium, ABS
Phases	3
RCD switch	30 mA AC, 6 mA DC
Connections	Typ 2
Cable length	5.5 m
Quantity	2
RFID activation	ALPHA optional / ALPHA XT inklusiv
Load management	ALPHA Internal / ALPHA XT Internal and external
Mounting	Indoor or protected outdoor areas
Connections	230 Volt or 400 Volt three-phase current (3ph) 50 Hz connecting terminal up to 10 mm <sup>2</sup>
Cable entry	M25 for a cable diameter of 11-20 mm (M35 possible on site)
Min. cross section Supply line	Up to 13 A: 1.5 mm <sup>2</sup> / Up 16 A: 2.5 mm <sup>2</sup> Up to 25 A: 4 mm <sup>2</sup> / Up to 32 A: 6 mm <sup>2</sup>
Max. current consumption Adjustable	10 A, 13 A, 16 A, 20 A, 24 A or 32 A
Load power per vehicle	Max. 16 A (equals 3-Phasen up to 11 kW)
W x H x D (without coupling)	300 x 425 x 181 mm
W x H x D (with coupling)	300 x 425 x ca. 364 mm
Temperature range	-25 °C to 40 °C for connectionline < 11 kW -25 °C to 35 °C for connectionline > 11 kW
Weight	11.0 kg
Special features	Integrated cable holder, LED status indicator

### COMMUNICATION MODULE ALPHA XT







Bidirectional interface	RS485
Communication protocol	Modbus RTU
Updateable	Yes
Interfaces for updates	JTAG





” As an electrician I love the ALPHA! As with PRACHT luminaires, the installation is perfectly prepared and it is everywhere easy to connect it.“

## SIMPLY WELL PREPARED. EVERY CONFIGURATION OF THE CHARGING CAPACITY IS ADJUSTABLE.

			1-PHASE LOADING			2-PHASE LOADING			3-PHASE LOADING		
			 1 cars	 2 cars		 1 cars	 2 cars		 1 cars	 2 cars	
Position connector (Jumper)	Current rating	Min. cross section supply line	(1Ph supply line or only 1Ph car)	(1Ph supply, 1Ph car)		(3Ph supply, 2Ph car)	(3Ph supply, 2Ph car)		(3Ph supply, 3Ph car)	(3Ph supply, 3Ph car)	
1	10 A	1,5 mm <sup>2</sup>	2,3 kW	2,3 kW	0,0 kW	4,6 kW	4,6 kW	0,0 kW	6,9 kW	6,9 kW	0,0 kW
2	13 A	1,5 mm <sup>2</sup>	3,0 kW	1,6 kW	1,4 kW	6,0 kW	3,2 kW	2,8 kW	9,0 kW	4,8 kW	4,2 kW
3	16 A	2,5 mm <sup>2</sup>	3,7 kW	1,8 kW	1,8 kW	7,4 kW	3,7 kW	3,7 kW	11,0 kW	5,5 kW	5,5 kW
4	20 A	4,0 mm <sup>2</sup>	3,7 kW	2,3 kW	2,3 kW	7,4 kW	4,6 kW	4,6 kW	11,0 kW	6,9 kW	6,9 kW
5	24 A	4,0 mm <sup>2</sup>	3,7 kW	2,8 kW	2,8 kW	7,4 kW	5,5 kW	5,5 kW	11,0 kW	8,3 kW	8,3 kW
6	32 A	6,0 mm <sup>2</sup>	3,7 kW	3,7 kW	3,7 kW	7,4 kW	7,4 kW	7,4 kW	11,0 kW	11,0 kW	11,0 kW

After the charging of one vehicle is completed, the power at the other corresponds to the charging power with only one connected vehicle. Nominal values with tolerance +/- 10%

## WE ARE PREMIUM BRANDPARTNER

**THIS MEANS THAT WE HAVE ACCESS TO A HUGE, CERTIFIED NETWORK OF INSTALLERS AND ELECTRICIANS FOR YOUR IMPLEMENTATION.**



Look for  
electrician



Examine the possibility  
of funding




Answer technical  
questions



Advice by  
telephone and  
on site

### HOW TO REACH US:

 +49 6466/9140-900

 [info@prachtenergy.com](mailto:info@prachtenergy.com)

## AND WHAT ABOUT INSTALLATION?

The best information up front: The wallbox ALPHA is prepared for all kinds of infrastructures on site and can be connected in every household and in every company! The ALPHA from PRACHT can be quickly adjusted to all conditions and requires only 1 supply line for 2 charging points.

The integrated personal protection switch for electric mobility offers maximum safety. Additional series-mounted devices within the house electrical system are not necessary.



# SIMPLY. DOUBLE. ALPHA

The right of error and later technical developments is reserved. Status as of October 2020. Art. Nr. NRC0052 E

