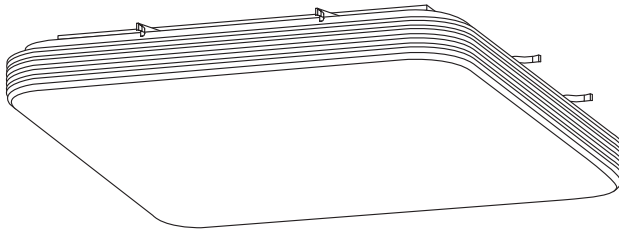
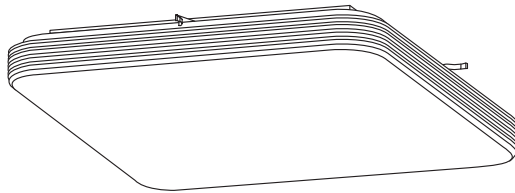
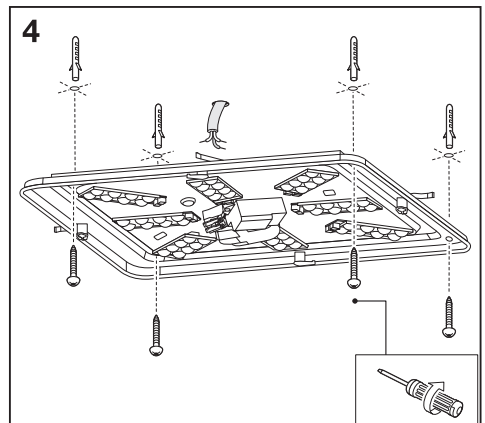
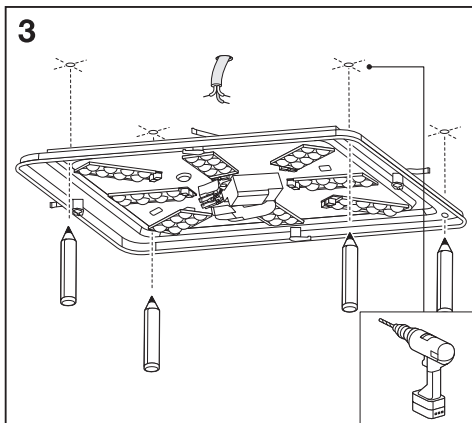
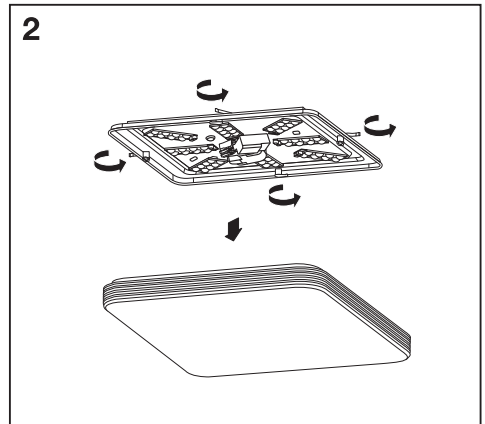
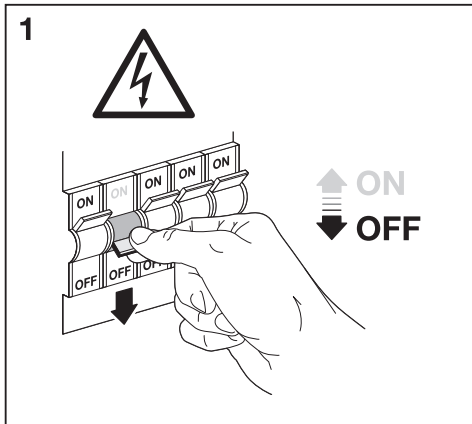
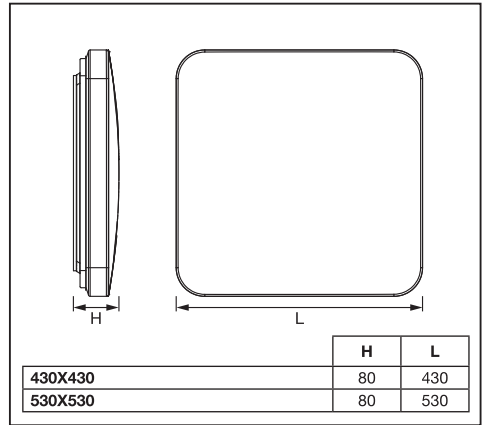
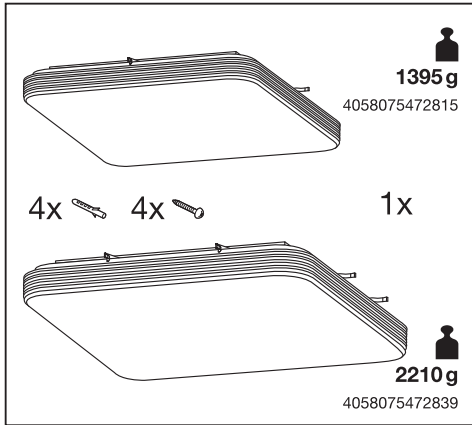
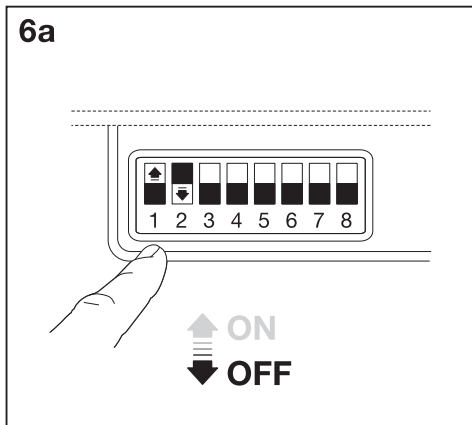
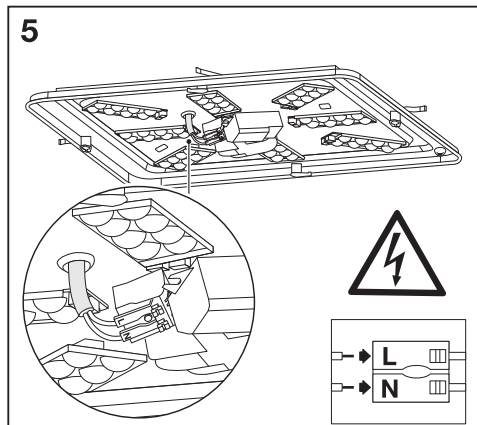

ORBIS SQUARE

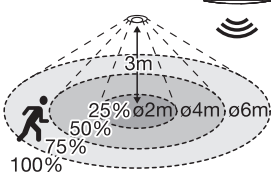


	EAN	W	lm	K	⊖ (°C)	V~	mA	Hz	PF
ORBIS SQUARE 430 SQ 50W 830 CLICKSEN	4058075472815	50	3700	3000	-20...+40	220-240	500	50/60	>0.9
ORBIS SQUARE 530 SQ 60W 830 CLICKSEN	4058075472839	60	4450	3000	-20...+40	220-240	500	50/60	>0.9






6b Detection area




1	2	
ON	ON	100%
ON	-	75%
-	ON	50%
-	-	25%






Hold time



3	4	5	
ON	ON	ON	5s
ON	ON	-	30s
ON	-	ON	1min
ON	-	-	3min
-	ON	ON	5min
-	ON	-	10min
-	-	ON	20min
-	-	-	30min


Daylight sensor



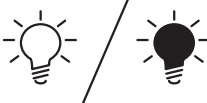

6	7	8	
ON	ON	ON	2Lux 
ON	ON	-	10Lux 
-	ON	-	25Lux 
ON	-	-	50Lux 
-	-	-	Disable 

2 MODE: SENSOR MODE / CONVENTIONAL LIGHT MODE

SENSOR MODE




CONVENTIONAL LIGHT MODE


3X OFF/ON

AUTO CHECKING



Conventional light mode



Sensor mode



10 seconds

OK 