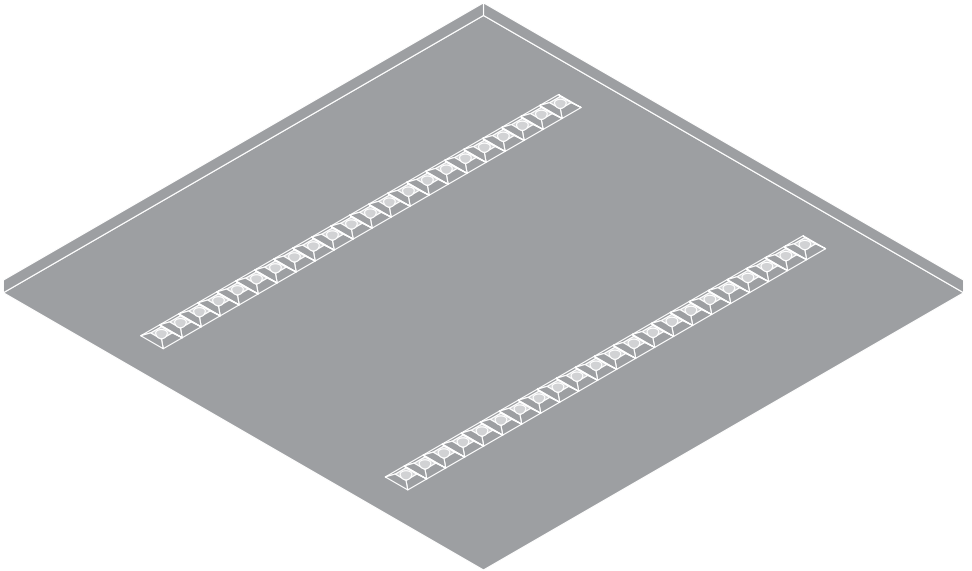


---

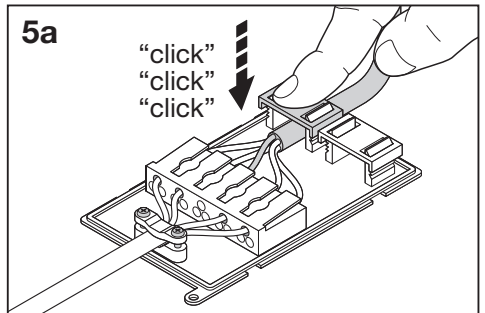
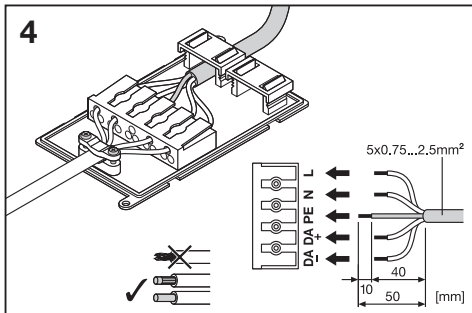
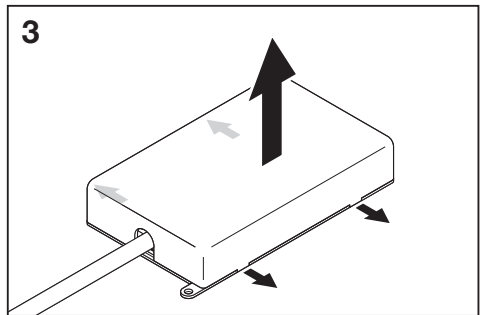
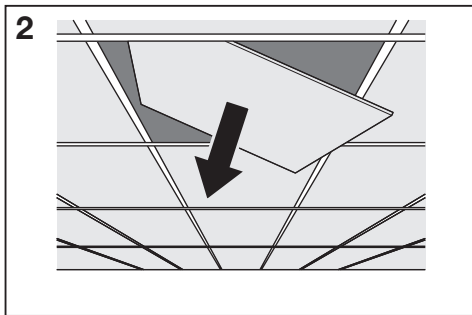
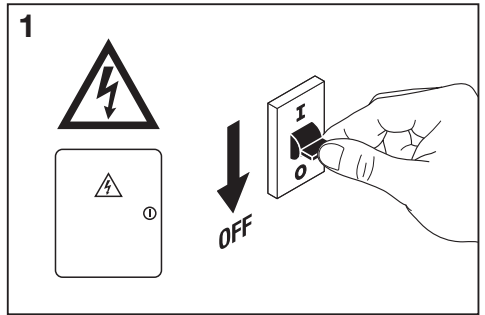
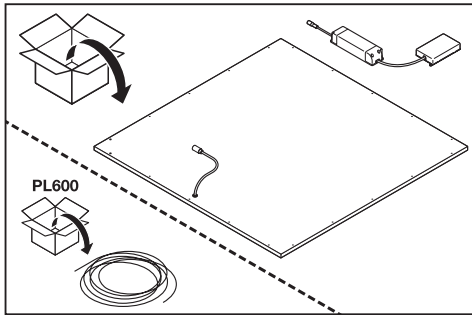
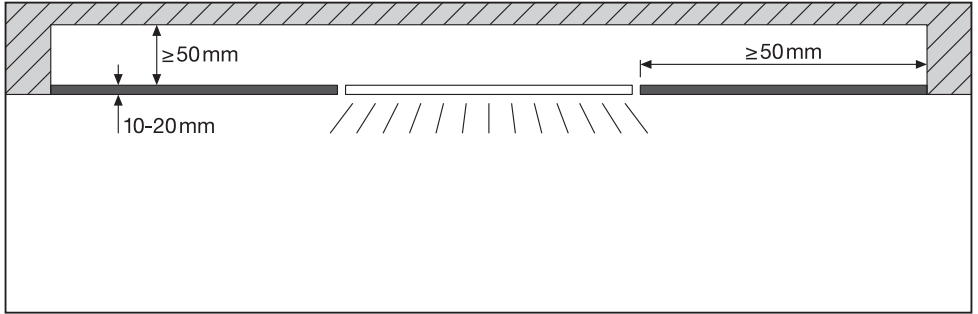
## PANEL IndiviLED® DALI 600/625

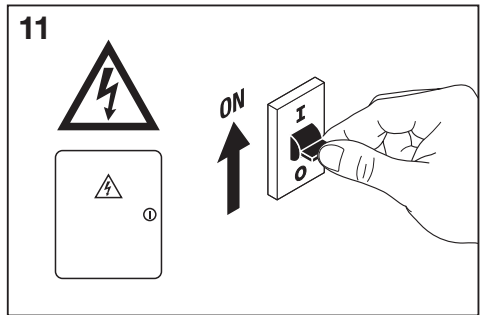
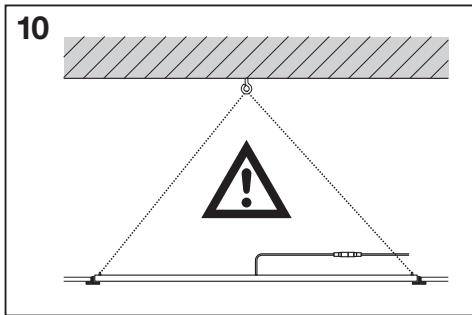
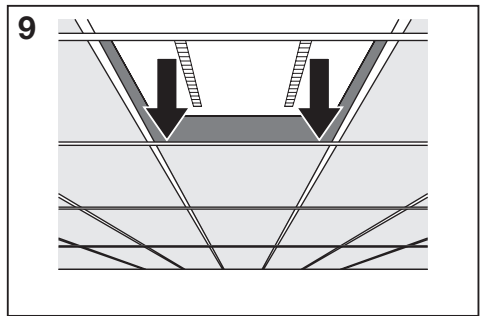
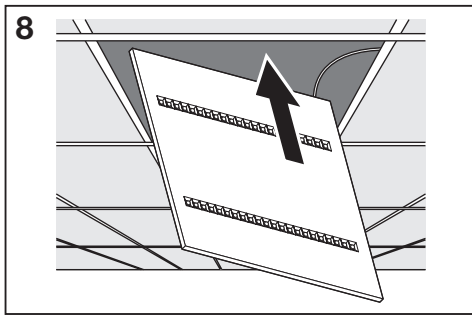
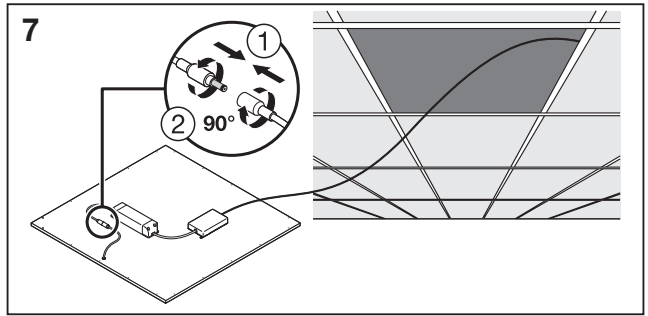
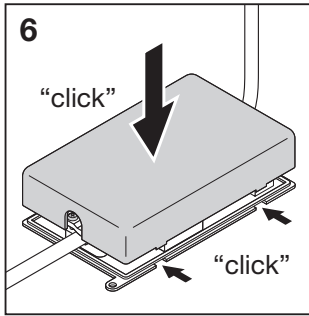
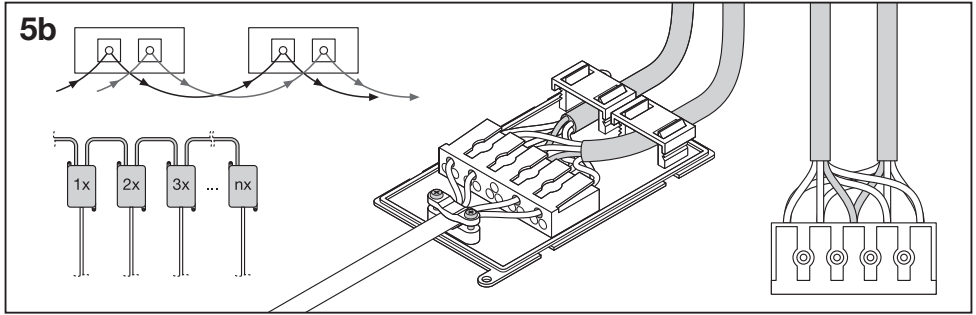
---



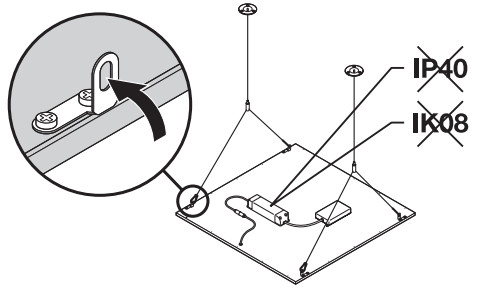
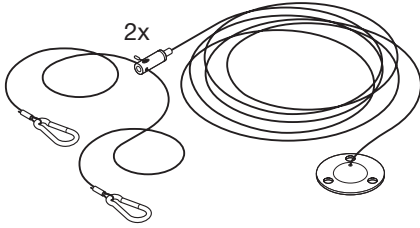
	EAN	l x w x h [mm]	W	V <sub>AC</sub>	Hz	lm	lm/W
PL INDV 600 33W/3000K DALI	4058075503885	595 x 595 x 13	33	220-240V	50/60Hz	3800	115
PL INDV 600 33W/4000K DALI	4058075503861	595 x 595 x 13	33	220-240V	50/60Hz	3800	115
PL INDV 625 33W/3000K DALI	4058075503908	620 x 620 x 13	33	220-240V	50/60Hz	3800	115
PL INDV 625 33W/4000K DALI	4058075503922	620 x 620 x 13	33	220-240V	50/60Hz	3800	115

	EAN	K	IP	IK	∠	R <sub>a</sub>	∅ (°C)	PF	👤
PL INDV 600 33W/3000K DALI	4058075503885	3000	40	08	70°	≥80	-20...+45	>0.9	3.5kg
PL INDV 600 33W/4000K DALI	4058075503861	4000	40	08	70°	≥80	-20...+45	>0.9	3.5kg
PL INDV 625 33W/3000K DALI	4058075503908	3000	40	08	70°	≥80	-20...+45	>0.9	3.6kg
PL INDV 625 33W/4000K DALI	4058075503922	4000	40	08	70°	≥80	-20...+45	>0.9	3.6kg

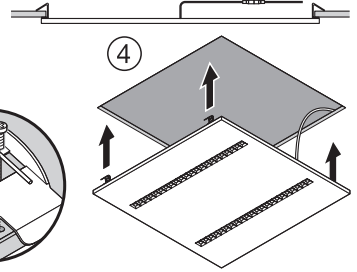
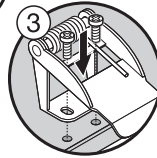
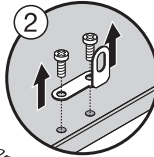
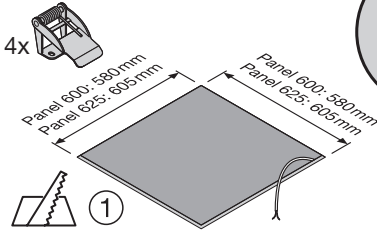




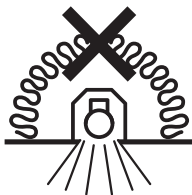
SUSPENSION KIT  
**EAN 4058075402928**



RECESSED MOUNT CLIPS VALUE  
**EAN 4058075409859**



	<b>C10A</b>	<b>B16A</b>	<b>C16A</b>	<b>DALI</b>	<b>I<sub>OUT</sub> [mA]</b>	<b>DIM</b>
	 n=21	 n=20	 n=33	OSRAM OTI DALI 50/220...240/1A4 NFC	850	



C10449057  
 G11099651  
 08.06.20



RoHS



LEDVANCE GmbH  
 Steinerne Furt 62  
 86167 Augsburg, Germany  
[www.ledvance.com](http://www.ledvance.com)