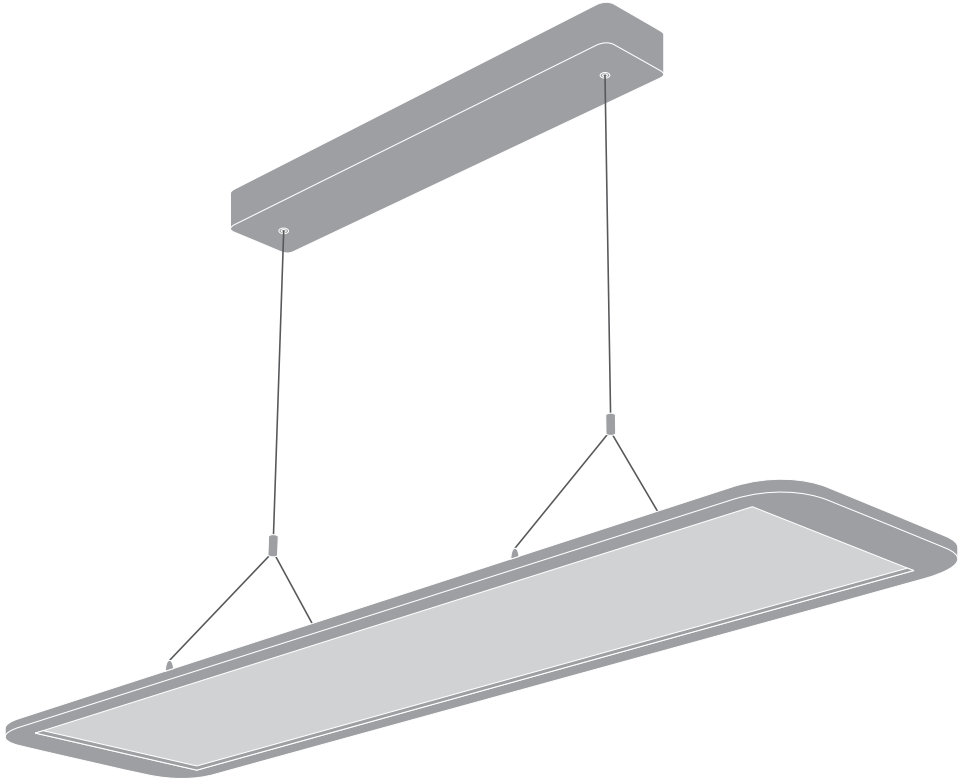
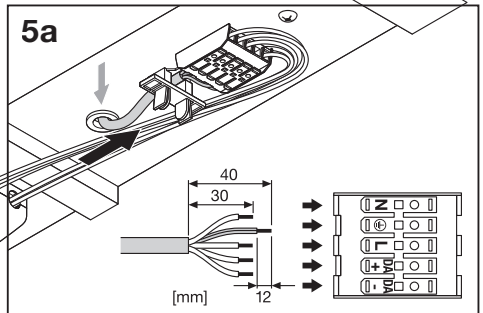
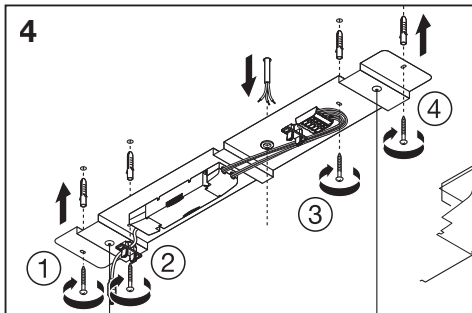
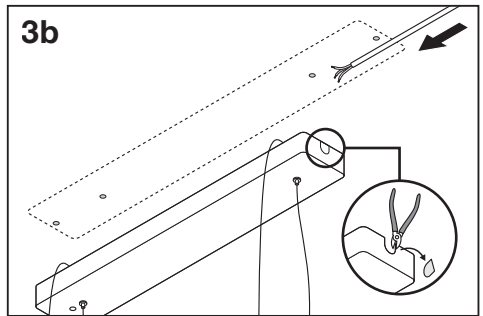
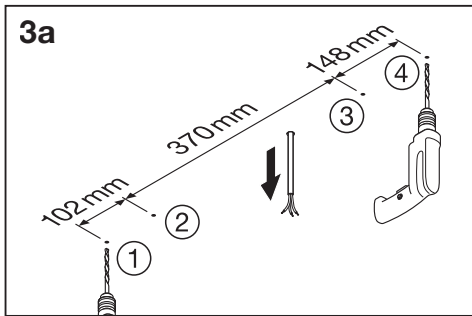
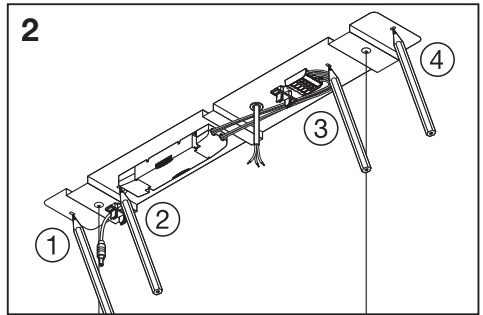
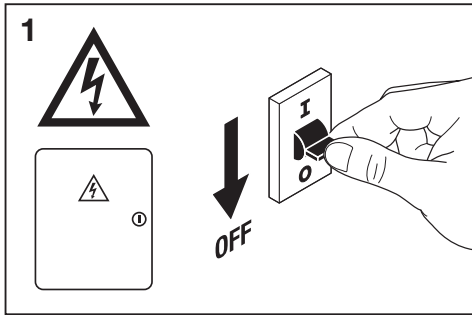
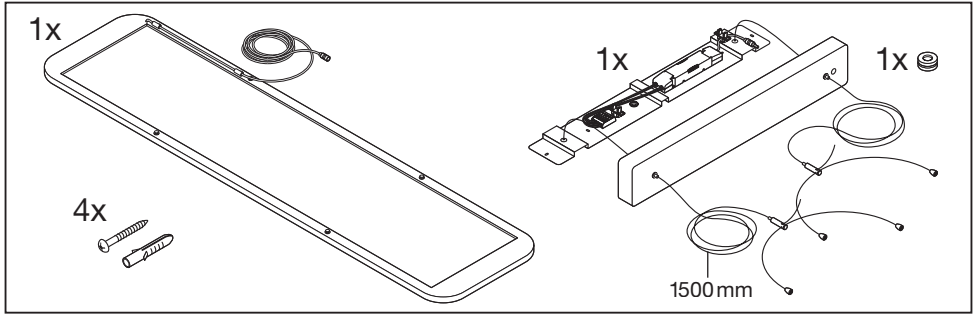
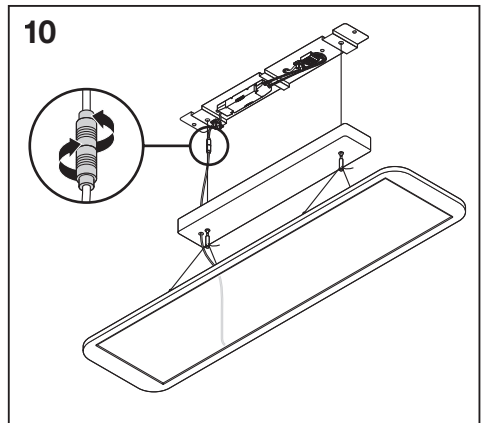
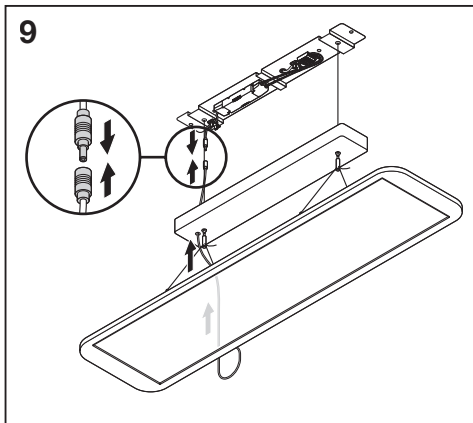
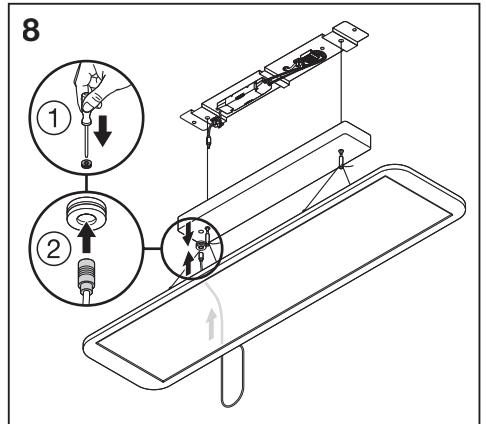
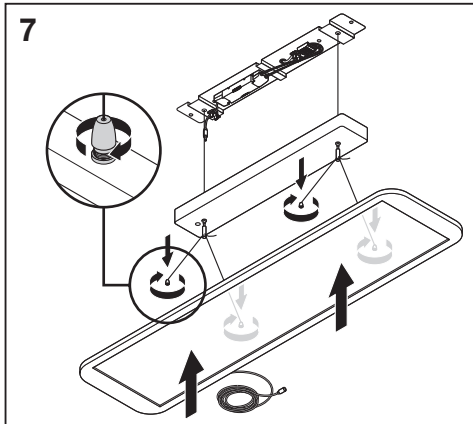
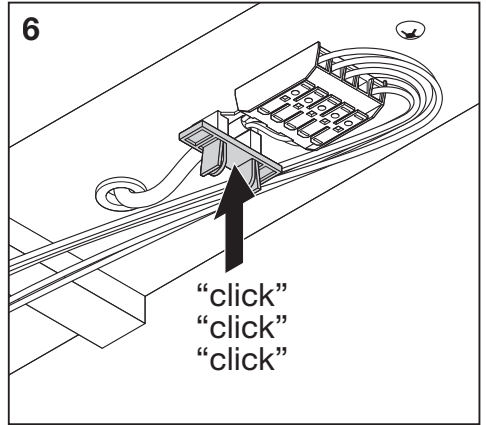
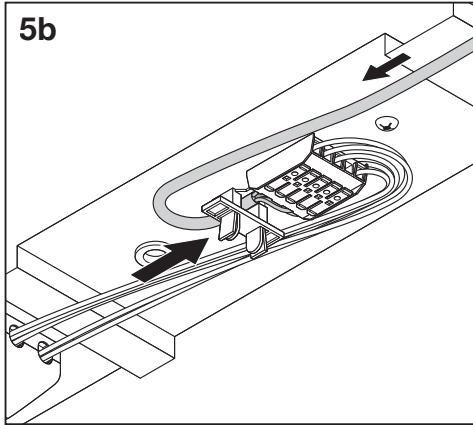

PANEL DIRECT/INDIRECT 1200 UGR < 19 DALI

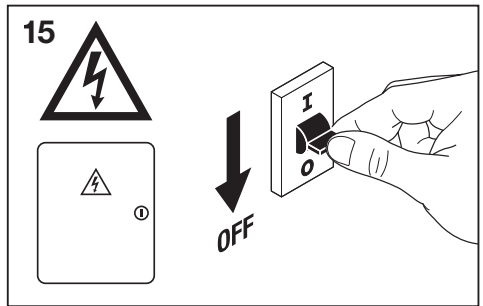
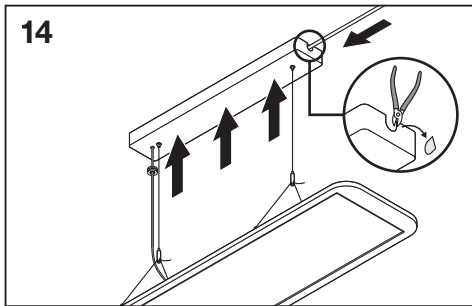
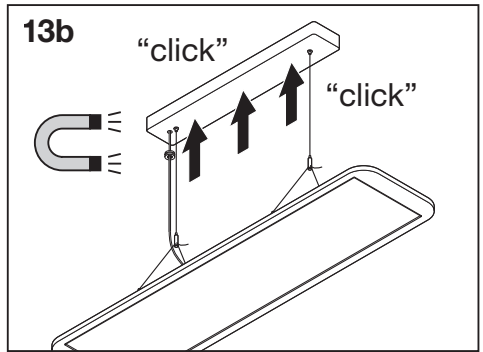
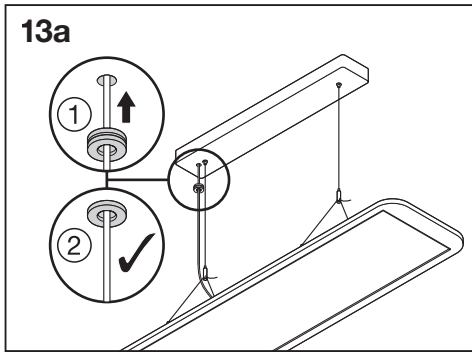
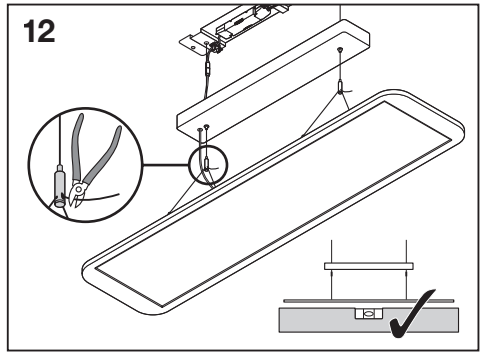
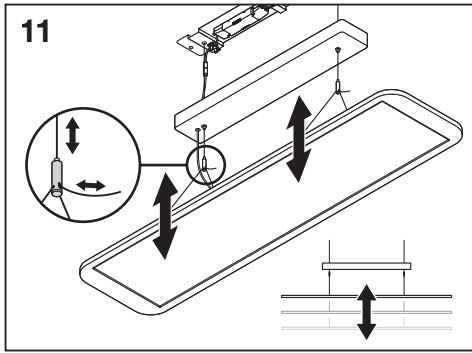


	EAN	l x w x h [mm]	W	W (230V DC)	V _{AC}	Hz	lm	lm (230V DC)
PANEL D/I 1200 36W/3000K UGR 19 DALI	4058075504028	1200x300x16	36	5.4	220-240V	0/50/60 Hz	3800	570
PANEL D/I 1200 36W/4000K UGR 19 DALI	4058075504042	1200x300x16	36	5.4	220-240V	0/50/60 Hz	4000	600

	EAN	lm/W	K	IP	IK	∇	R _a	°(°C)	PF	👤
PANEL D/I 1200 36W/3000K UGR 19 DALI	4058075504028	105	3000	20	03	110°	≥ 80	-20...+45	> 0.9	3.5kg
PANEL D/I 1200 36W/4000K UGR 19 DALI	4058075504042	110	4000	20	03	110°	≥ 80	-20...+45	> 0.9	3.5kg







C10A	B16A	C16A	DALI	I _{out} [mA]	DIM
n=21	n=20	n=33	OSRAM OTI DALI 50/220...240/1A4 NFC	800	



C10449057
G11099661
12.06.20

LEDVANCE GmbH
Steinerne Furt 62
86167 Augsburg, Germany
www.ledvance.com