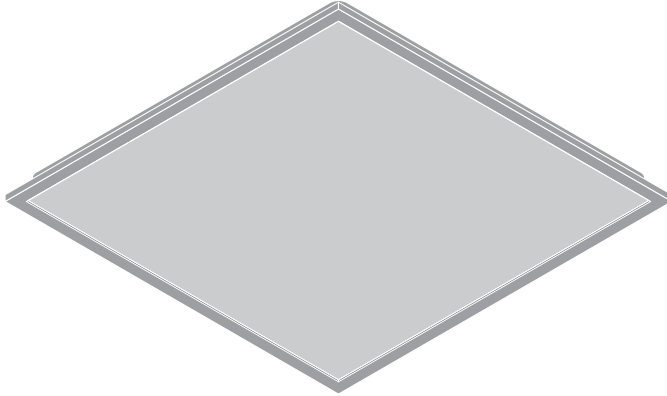
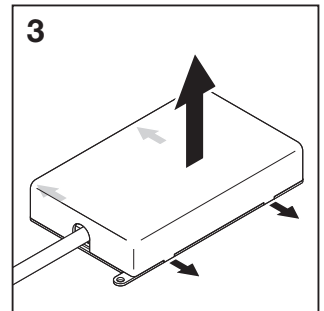
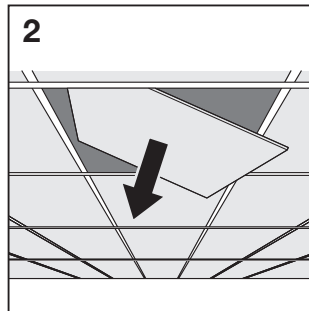
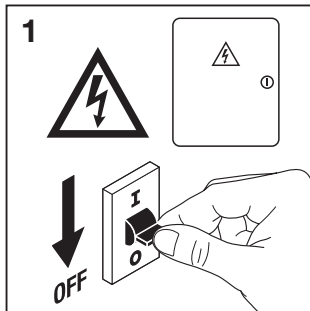
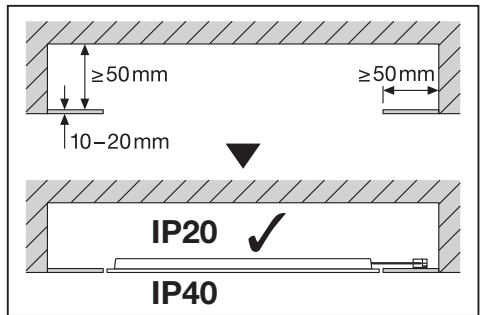
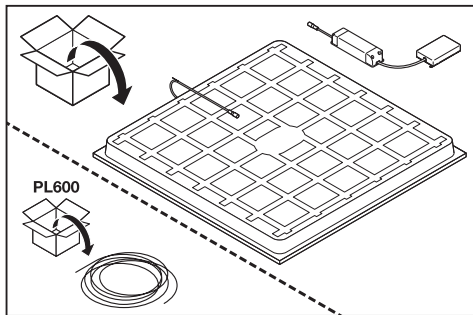


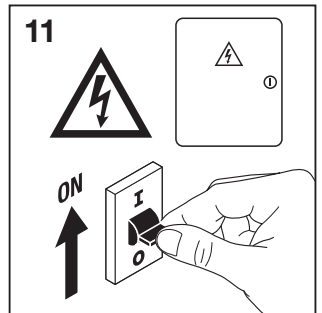
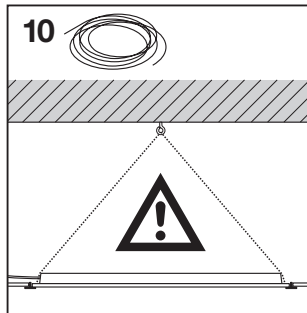
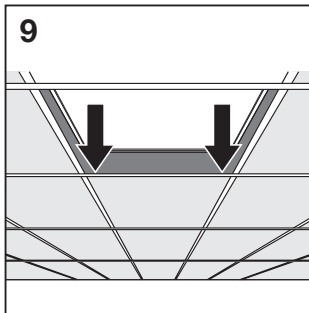
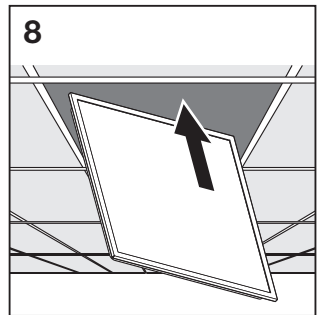
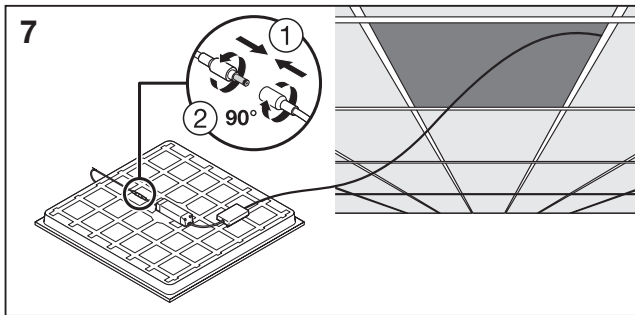
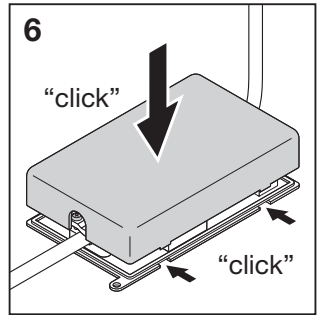
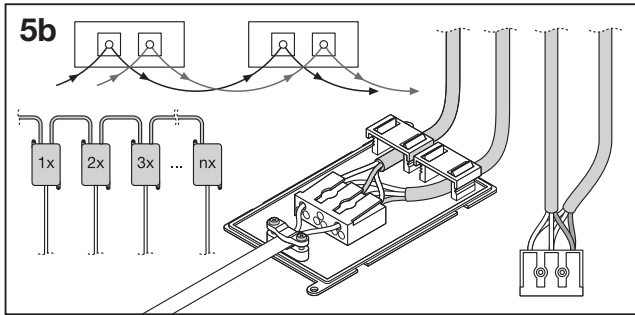
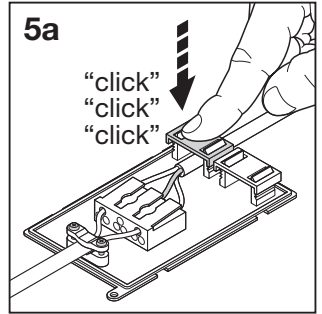
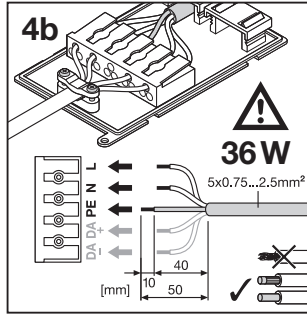
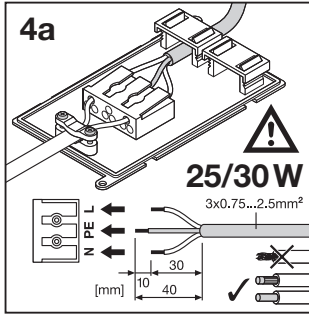
## PANEL PERFORMANCE 600/625



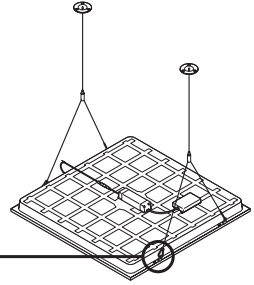
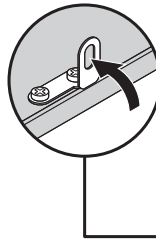
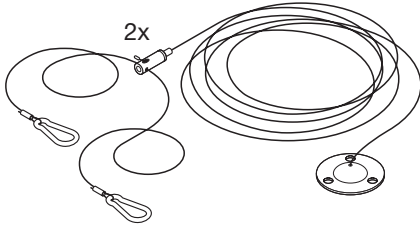
	EAN	l x w x h [mm]	W	VAC	Hz	lm	lm/W	K
PL PFM 600 25W/3000K	4058075440159	595 x 595 x 32	25	220-240	50/60	3000	120	3000
PL PFM 600 25W/4000K	4058075440197	595 x 595 x 32	25	220-240	50/60	3000	120	4000
PL PFM 600 30W/3000K	4058075440234	595 x 595 x 32	30	220-240	50/60	3600	120	3000
PL PFM 600 30W/4000K	4058075440258	595 x 595 x 32	30	220-240	50/60	3600	120	4000
PL PFM 600 30W/3000K UGR19	4058075440272	595 x 595 x 32	30	220-240	50/60	3600	120	3000
PL PFM 600 30W/4000K UGR19	4058075440296	595 x 595 x 32	30	220-240	50/60	3600	120	4000
PL PFM 600 36W/3000K	4058075440319	595 x 595 x 32	36	220-240	50/60	4320	120	3000
PL PFM 600 36W/4000K	4058075440333	595 x 595 x 32	36	220-240	50/60	4320	120	4000
PL PFM 600 DALI 36W/3000K	4058075440357	595 x 595 x 32	36	220-240	0/50/60	4320	120	3000
PL PFM 600 DALI 36W/4000K	4058075440395	595 x 595 x 32	36	220-240	0/50/60	4320	120	4000
PL PFM 600 36W/3000K UGR19	4058075440418	595 x 595 x 32	36	220-240	50/60	4320	120	3000
PL PFM 600 36W/4000K UGR19	4058075440432	595 x 595 x 32	36	220-240	50/60	4320	120	4000
PL PFM 600 DALI 36W/3000K UGR19	4058075440456	595 x 595 x 32	36	220-240	0/50/60	4320	120	3000
PL PFM 600 DALI 36W/4000K UGR19	4058075440470	595 x 595 x 32	36	220-240	0/50/60	4320	120	4000
PL PFM 625 25W/3000K	4058075440494	620 x 620 x 32	25	220-240	50/60	3000	120	3000
PL PFM 625 25W/4000K	4058075440517	620 x 620 x 32	25	220-240	50/60	3000	120	4000
PL PFM 625 30W/3000K	4058075440531	620 x 620 x 32	30	220-240	50/60	3600	120	3000
PL PFM 625 30W/4000K	4058075440555	620 x 620 x 32	30	220-240	50/60	3600	120	4000
PL PFM 625 30W/3000K UGR19	4058075440579	620 x 620 x 32	30	220-240	50/60	3600	120	3000
PL PFM 625 30W/4000K UGR19	4058075440593	620 x 620 x 32	30	220-240	50/60	3600	120	4000
PL PFM 625 DALI 36W/3000K	4058075440616	620 x 620 x 32	36	220-240	0/50/60	4320	120	3000
PL PFM 625 DALI 36W/4000K	4058075440654	620 x 620 x 32	36	220-240	0/50/60	4320	120	4000
PL PFM 625 36W/3000K	4058075440678	620 x 620 x 32	36	220-240	50/60	4320	120	3000
PL PFM 625 36W/4000K	4058075440692	620 x 620 x 32	36	220-240	50/60	4320	120	4000
PL PFM 625 36W/3000K UGR19	4058075440715	620 x 620 x 32	36	220-240	50/60	4320	120	3000
PL PFM 625 36W/4000K UGR19	4058075440739	620 x 620 x 32	36	220-240	50/60	4320	120	4000
PL PFM 625 DALI 36W/3000K UGR19	4058075440753	620 x 620 x 32	36	220-240	0/50/60	4320	120	3000
PL PFM 625 DALI 36W/4000K UGR19	4058075440777	620 x 620 x 32	36	220-240	0/50/60	4320	120	4000

	EAN	IP	∠	R <sub>a</sub>	° (°C)	PF	👤
PL PFM 600 25W/3000K	4058075440159	40/20	120°	>80	-10...+45	>0.95	1.6 kg
PL PFM 600 25W/4000K	4058075440197	40/20	120°	>80	-10...+45	>0.95	1.6 kg
PL PFM 600 30W/3000K	4058075440234	40/20	120°	>80	-10...+45	>0.95	1.6 kg
PL PFM 600 30W/4000K	4058075440258	40/20	120°	>80	-10...+45	>0.95	1.6 kg
PL PFM 600 30W/3000K UGR19	4058075440272	40/20	90°	>80	-10...+45	>0.95	1.9 kg
PL PFM 600 30W/4000K UGR19	4058075440296	40/20	90°	>80	-10...+45	>0.95	1.9 kg
PL PFM 600 36W/3000K	4058075440319	40/20	120°	>80	-10...+45	>0.95	1.7 kg
PL PFM 600 36W/4000K	4058075440333	40/20	120°	>80	-10...+45	>0.95	1.7 kg
PL PFM 600 DALI 36W/3000K	4058075440357	40/20	120°	>80	-10...+45	>0.95	1.8 kg
PL PFM 600 DALI 36W/4000K	4058075440395	40/20	120°	>80	-10...+45	>0.95	1.8 kg
PL PFM 600 36W/3000K UGR19	4058075440418	40/20	90°	>80	-10...+45	>0.95	1.9 kg
PL PFM 600 36W/4000K UGR19	4058075440432	40/20	90°	>80	-10...+45	>0.95	1.9 kg
PL PFM 600 DALI 36W/3000K UGR19	4058075440456	40/20	90°	>80	-10...+45	>0.95	2.0 kg
PL PFM 600 DALI 36W/4000K UGR19	4058075440470	40/20	90°	>80	-10...+45	>0.95	2.0 kg
PL PFM 625 25W/3000K	4058075440494	40/20	120°	>80	-10...+45	>0.95	1.9 kg
PL PFM 625 25W/4000K	4058075440517	40/20	120°	>80	-10...+45	>0.95	1.9 kg
PL PFM 625 30W/3000K	4058075440531	40/20	120°	>80	-10...+45	>0.95	1.9 kg
PL PFM 625 30W/4000K	4058075440555	40/20	120°	>80	-10...+45	>0.95	1.9 kg
PL PFM 625 30W/3000K UGR19	4058075440579	40/20	90°	>80	-10...+45	>0.95	2.1 kg
PL PFM 625 30W/4000K UGR19	4058075440593	40/20	90°	>80	-10...+45	>0.95	2.1 kg
PL PFM 625 DALI 36W/3000K	4058075440616	40/20	120°	>80	-10...+45	>0.95	1.9 kg
PL PFM 625 DALI 36W/4000K	4058075440654	40/20	120°	>80	-10...+45	>0.95	1.9 kg
PL PFM 625 36W/3000K	4058075440678	40/20	120°	>80	-10...+45	>0.95	1.8 kg
PL PFM 625 36W/4000K	4058075440692	40/20	120°	>80	-10...+45	>0.95	1.8 kg
PL PFM 625 36W/3000K UGR19	4058075440715	40/20	90°	>80	-10...+45	>0.95	2.1 kg
PL PFM 625 36W/4000K UGR19	4058075440739	40/20	90°	>80	-10...+45	>0.95	2.1 kg
PL PFM 625 DALI 36W/3000K UGR19	4058075440753	40/20	90°	>80	-10...+45	>0.95	2.2 kg
PL PFM 625 DALI 36W/4000K UGR19	4058075440777	40/20	90°	>80	-10...+45	>0.95	2.2 kg

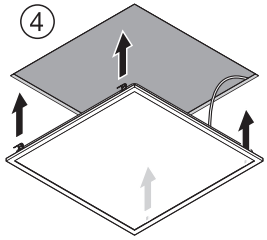
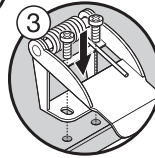
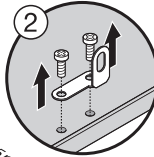
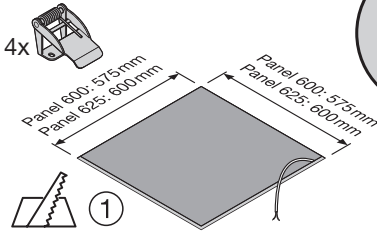




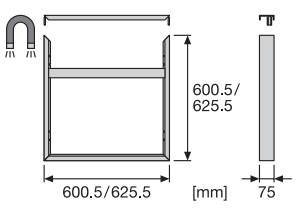
SUSPENSION KIT  
EAN 4058075402928



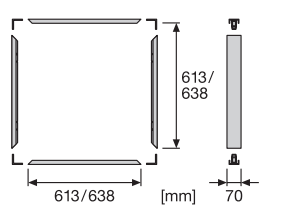
RECESSED MOUNT CLIPS VALUE  
EAN 4058075409859



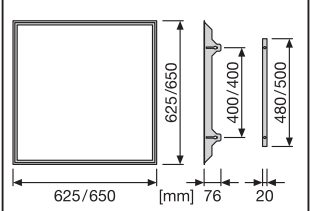
PL 600 SURFACE MOUNT KIT H75  
EAN 4058075472914



PL 600 SURFACE MOUNT KIT H70 VAL  
EAN 4058075402843



PL 600 RECESSED MOUNT FRAME  
EAN 4058075402881



	C10A	B16A	C16A		DALI	IOUT [mA]	DIM
PANEL PFM 36W DALI	n = 10	n = 11	n = 16		OSRAM OTi DALI 50/220...240/1A4 NFC	760	✓
PANEL PFM 36W	n = 12	n = 13	n = 19		-	-	-
PANEL PFM 30W	n = 13	n = 15	n = 21		-	-	-
PANEL PFM 25W	n = 15	n = 16	n = 24		-	-	-

PANEL PFM 600/625 DALI	
PANEL PFM 600/625	



C10449057  
G11094519  
16.03.20

CE EAC RoHS



LEDVANCE GmbH  
Steinerne Furt 62  
86167 Augsburg, Germany  
www.ledvance.com