



KS 8.10 8.10 FL30 OV ZP STTZN (314 310)

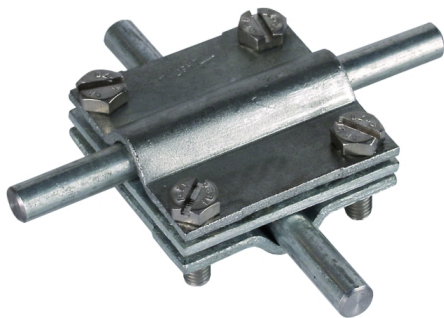
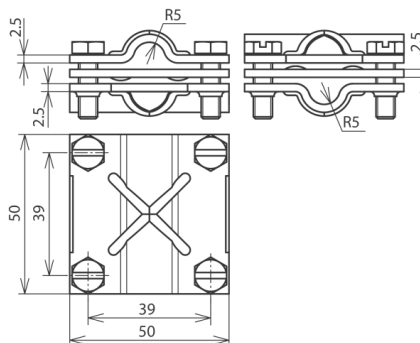


Figure without obligation



Type	KS 8.10 8.10 FL30 OV ZP STTZN
Part No.	314 310
Material of clamp	St/tZn
Clamping range Rd / Rd	8-10 / 8-10 mm
Clamping range Rd / FI	8-10 / 30 mm
Clamping range FI / FI	30 / 30 mm
Screw	M6 x 20 mm
Material of screw	StSt
Dimensions	50 x 50 x 2.5 mm
Intermediate plate	yes
Lightning current carrying capability (10/350 µs)	100 kA ^{*)}
Standard	EN 62561-1
Weight	174 g
Customs tariff number (Comb. Nomenclature EU)	85389099
GTIN	4013364042841
PU	50 pc(s)

^{*)} For exact assignment see test certificate.

We reserve the right to introduce changes in performance, configuration and technology, dimensions, weights and materials in the course of technical progress. The figures are shown without obligation.